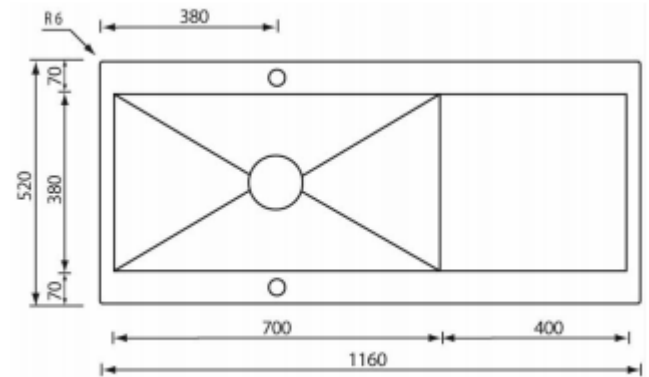




TECHNICAL DATA SHEET

KITCHEN SINK MODEL: **REVERS** | SERIES: **BUILT - IN** | SINK FINISH: **STAINLESS STEEL** | FAMILY: **LUXURY**



PRODUCT INFORMATION

ARTICLE CODE:	REVERS 012989
BASE:	800/900 MM
DIMENSIONS:	1160 X 520 MM
CUT OUT:	1140 X 500 MM
BOWL:	800 MM 900 MM IF AT BEGINNING OF KITCHEN
INSTALLATION TYPE:	BUILT - IN
SURFACE FINISH:	SATIN
PACKAGING:	CARTON BOX

PRODUCT FEATURES



AISI 304



LIFE TIME YEARS WARRANTY

INCLUSIONS



WASTE FITTING 3" CODE NO. 095020



U - TRAP / SIPHON CODE NO. 09600