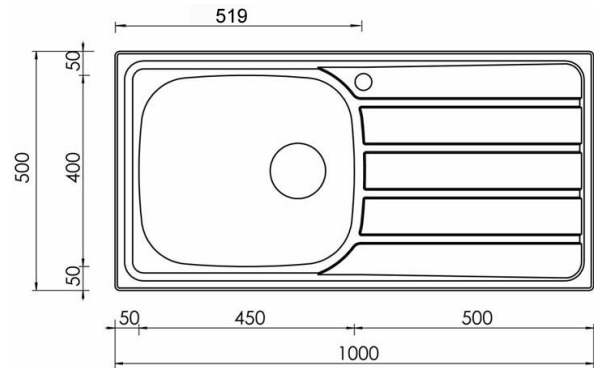




TECHNICAL DATA SHEET

KITCHEN SINK MODEL: **UNIVERSAL** | SERIES: **REVERSIBLE** | SINK FINISH: **STAINLESS STEEL** | FAMILY: **LUXURY**



PRODUCT INFORMATION

ARTICLE CODE:	015446
BASE:	600 MM
DIMENSIONS:	1000 X 500 MM
CUT OUT:	975 x 475 MM
BOWL DEPTH:	160 MM
INSTALLATION TYPE:	REVERSIBLE
SURFACE FINISH:	SATIN
PACKAGING:	CARTON BOX

PRODUCT FEATURES



AISI 304



20 YEARS WARRANTY

INCLUSIONS



WASTE FITTING 3" CODE NO. 095030



U - TRAP / SIPHON CODE NO. 096010