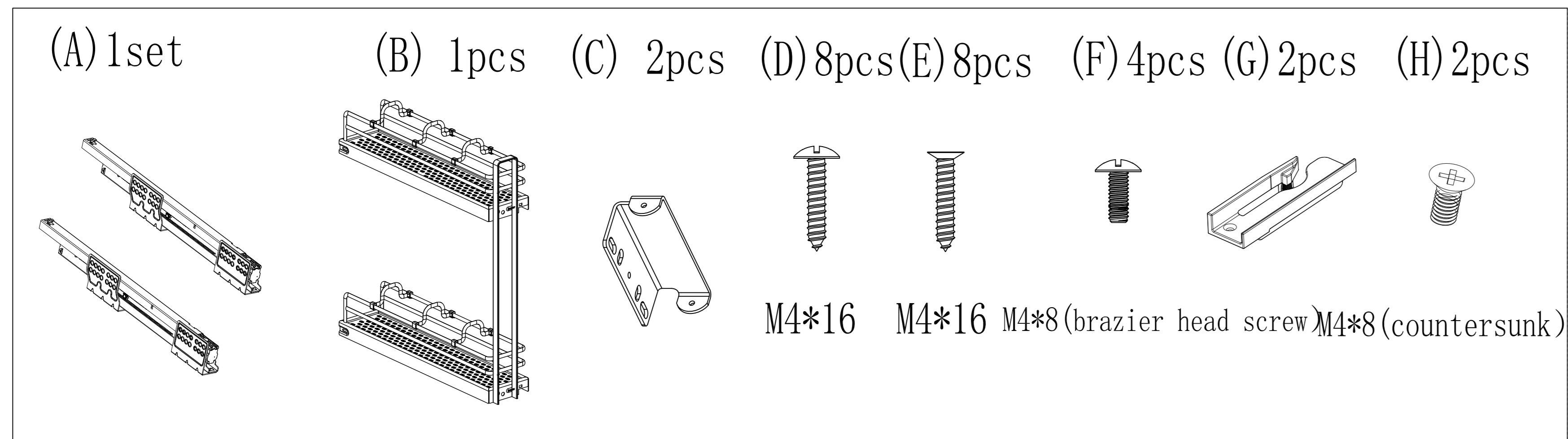


Assembly Instruction

1 Component List:

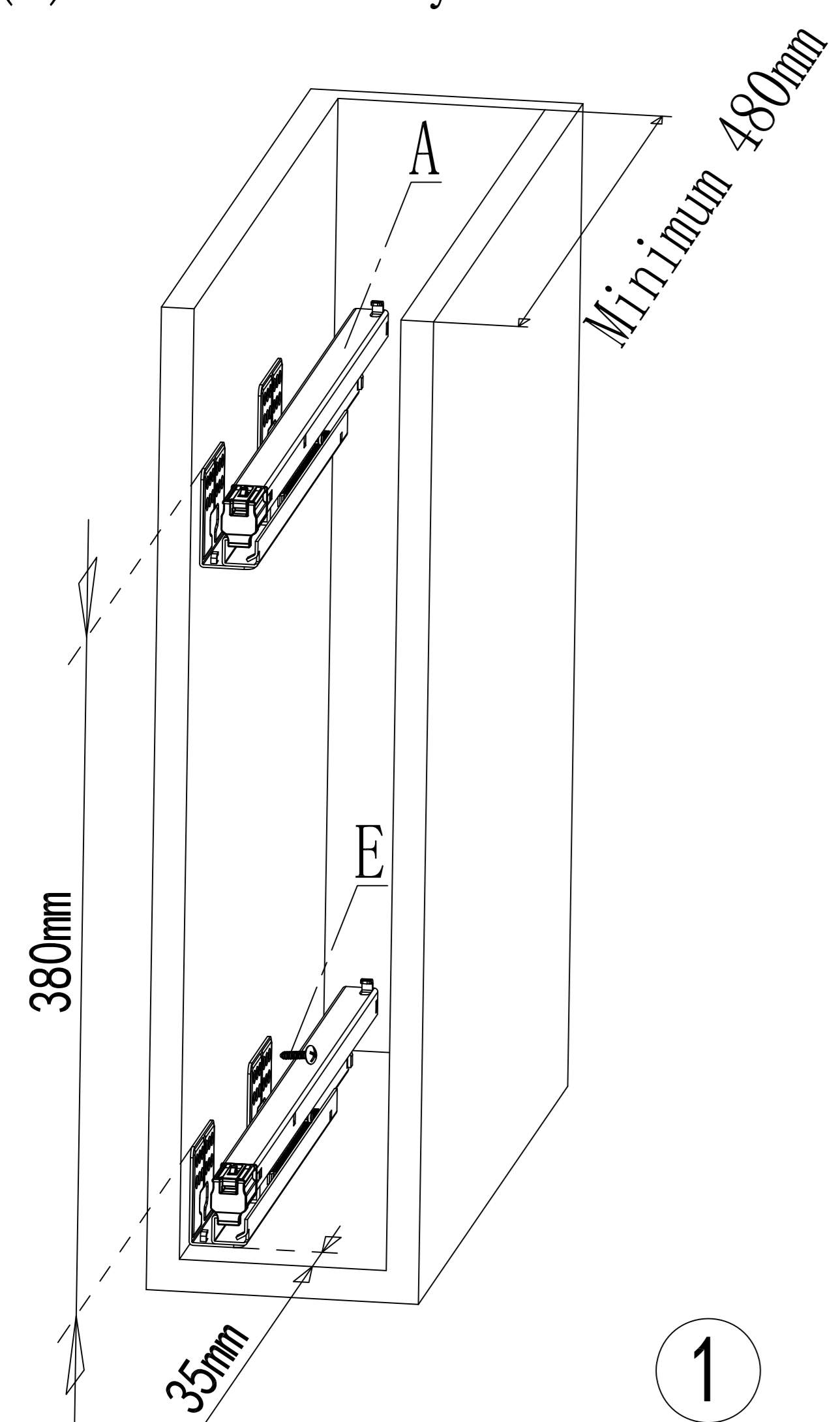


2 Specification & applicable cabinet width:

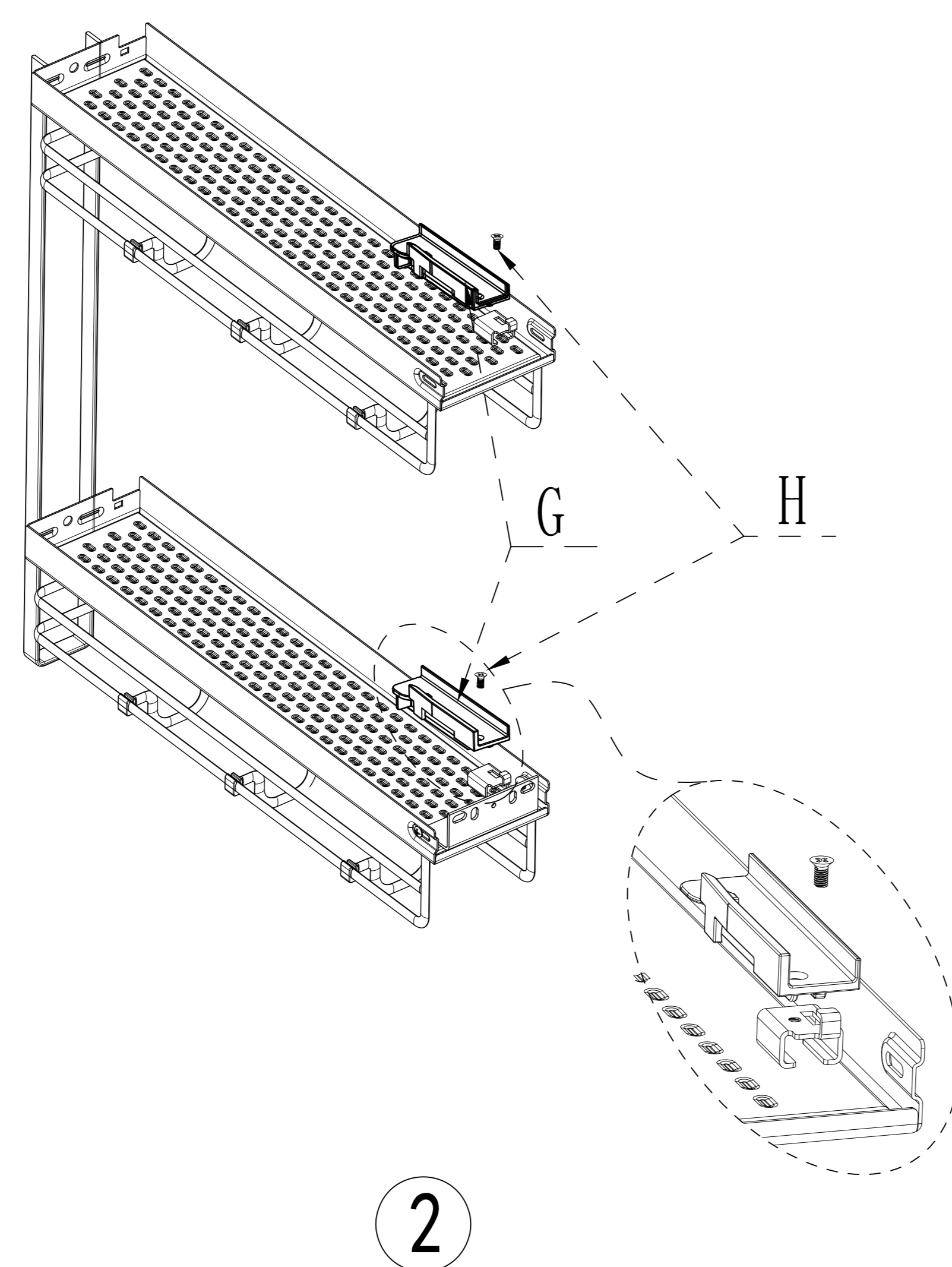
Specification (W*D*H) mm	Applicable Cabinet width(Y) mm
110*480*540	150
160*480*540	200

- Note: *
- * Full-extension, soft-closing, stable service life is more than 60000 times
 - * Superior load-bearing
 - * Superior steel, European style 5-layer nanometer dry plating, durable and multifunctional
 - * Easy to assemble and disassemble

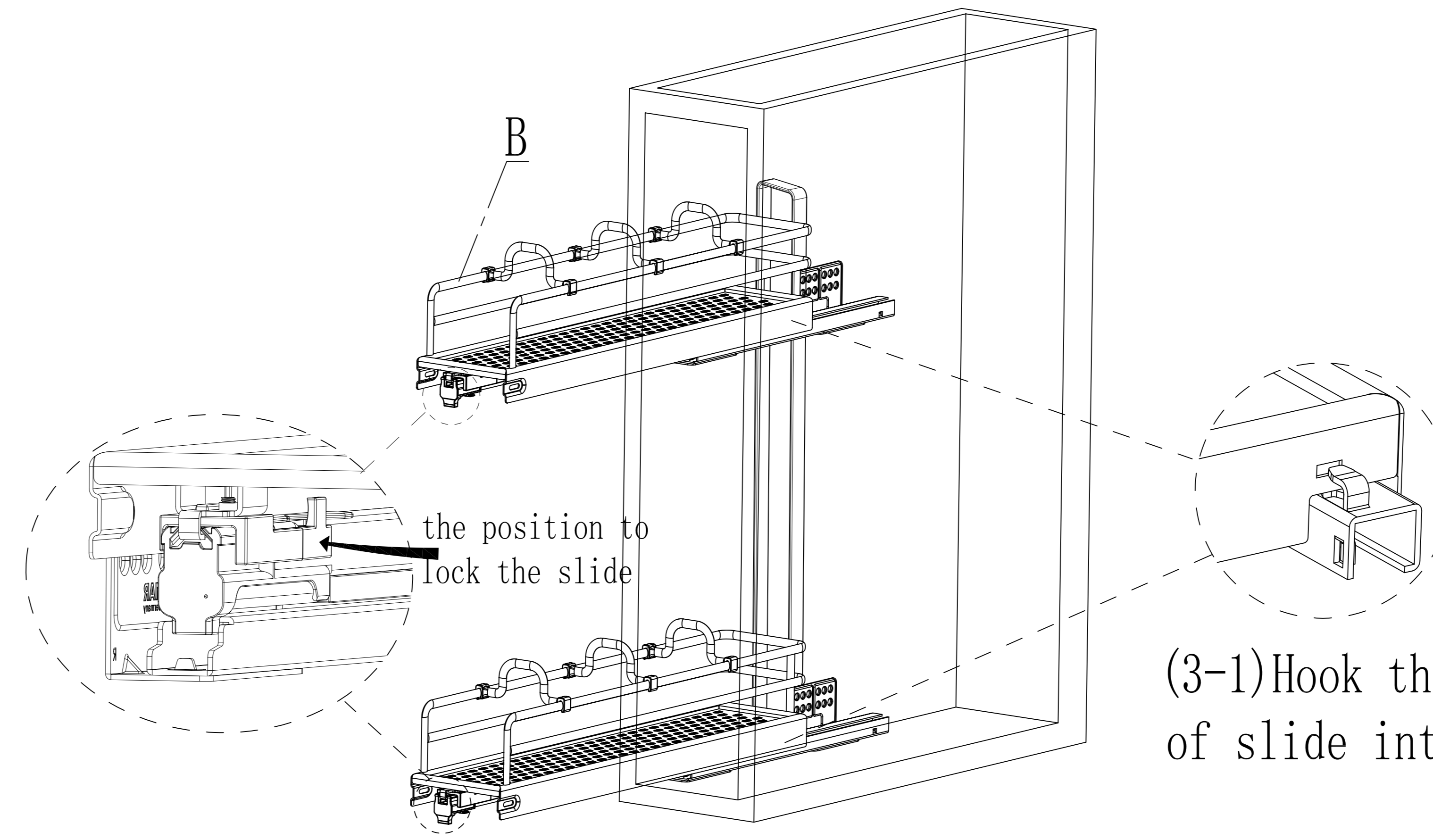
(1) The assembly size of slide



(2) Install the part "G"



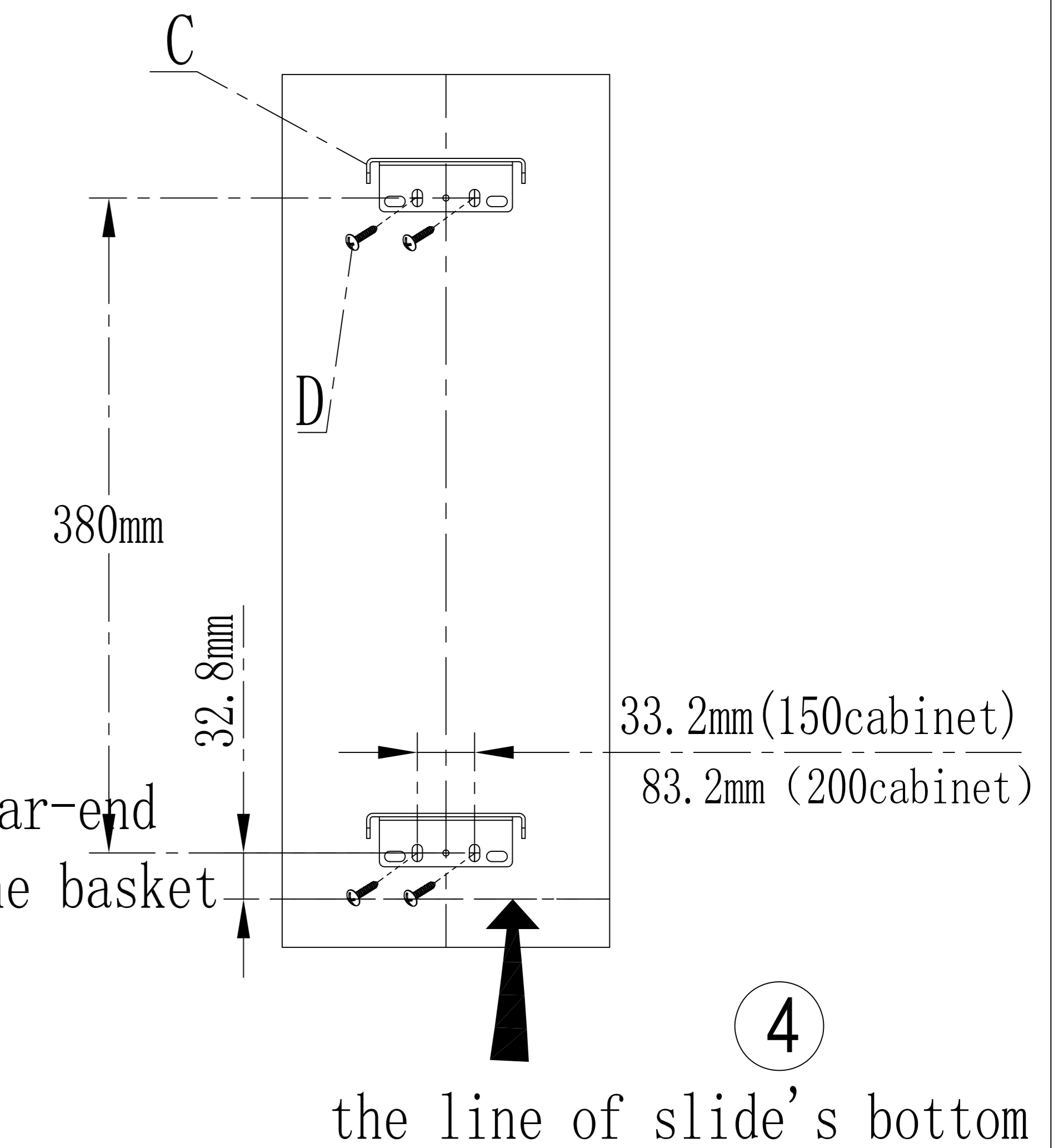
(3) Fix the basket on the slide



3

(3-2) Stuck the slide into part "G"

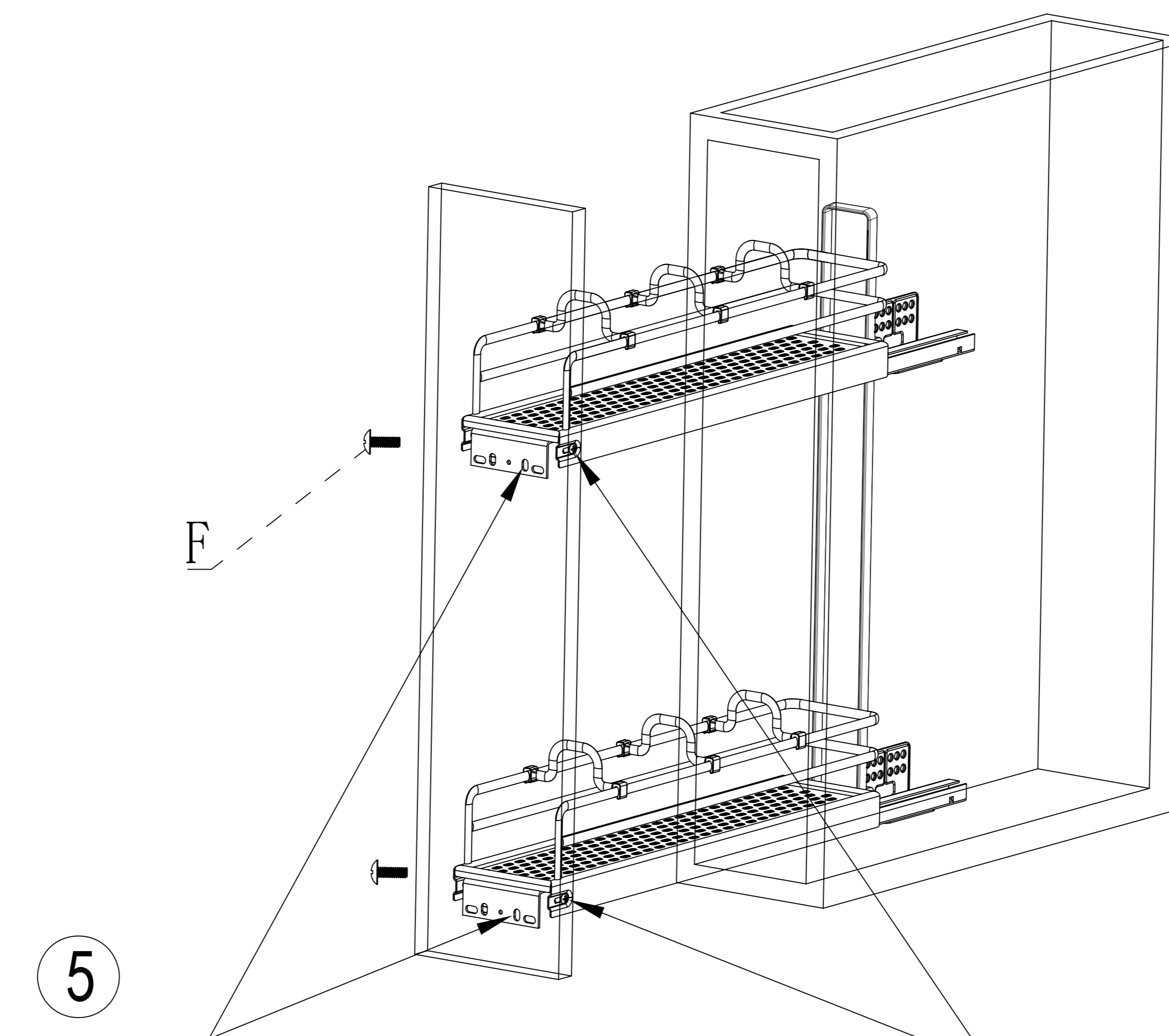
(4) Fix the part "C" on the door panel



4

the line of slide's bottom

(5) Install the cabinet door

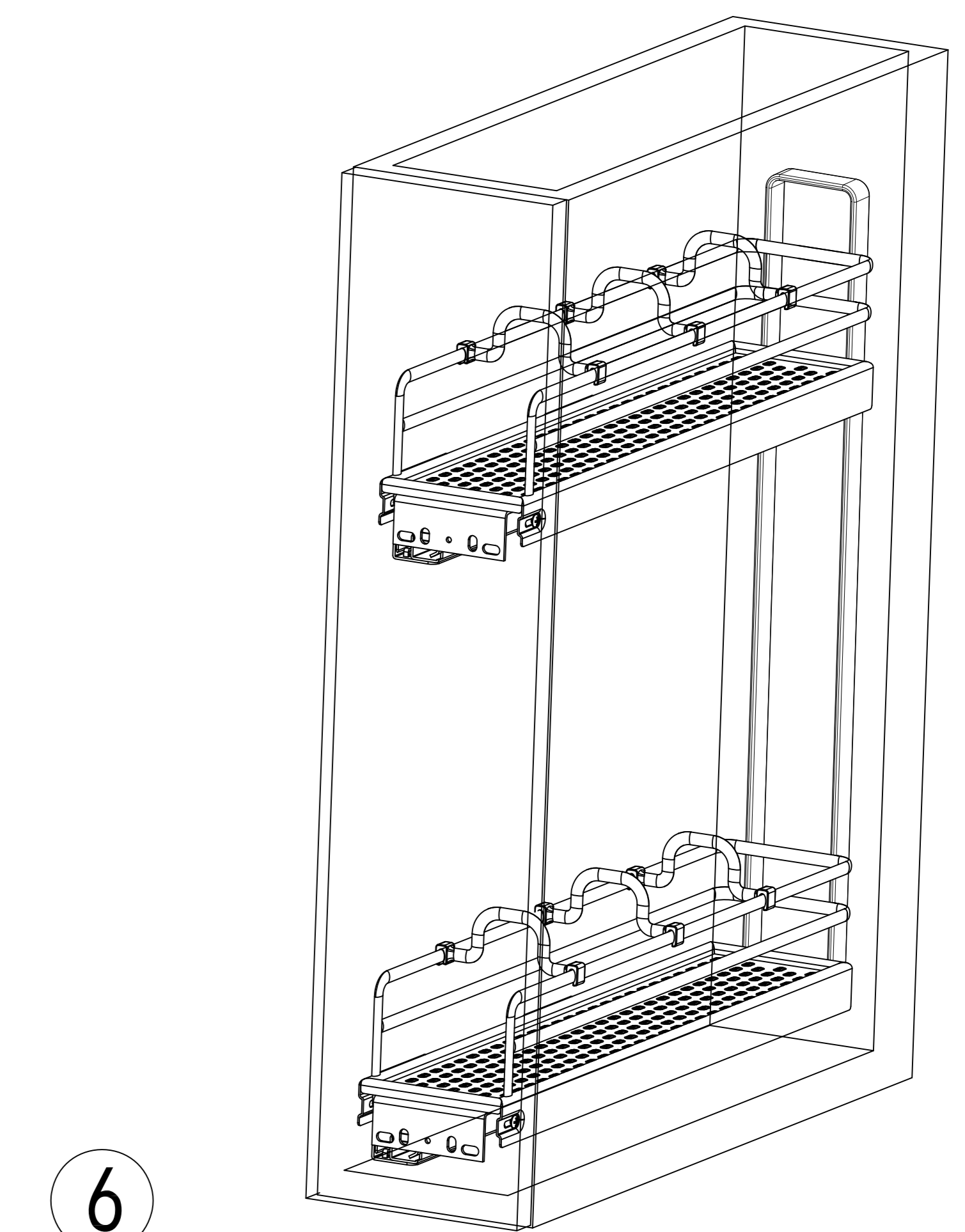


5

Screw D adjust the height of the door

Screw F adjust the vertical of the door

(6) Installation complete



6

Moving smoothly means complete