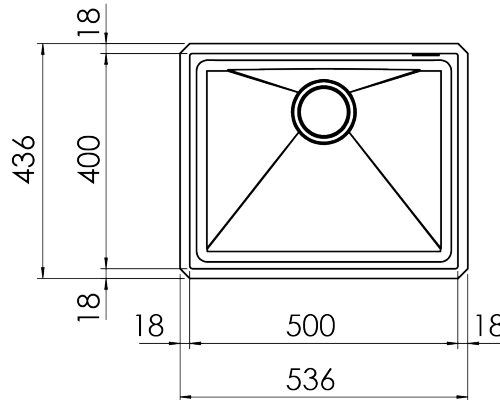




TECHNICAL DATA SHEET

KITCHEN SINK MODEL: **NEVADA** | SERIES: **UNDERMOUNT** | SINK FINISH: **GRANITE BLACK** | FAMILY: **LUXURY**



PRODUCT INFORMATION

ARTICLE CODE:	NEVADA 400300
BASE:	600 MM
DIMENSIONS:	536 x 436 mm
CUT OUT:	500 x 400 mm
BOWL DEPTH:	200 MM
INSTALLATION TYPE:	UNDERMOUNT
SURFACE FINISH:	GRANITE BLACK
PACKAGING:	CARTON BOX

PRODUCT FEATURES



AISI 304



5 YEARS WARRANTY

INCLUSIONS



WASTE FITTING 3" CODE NO. 095020



U - TRAP / SIPHON CODE NO. 09600