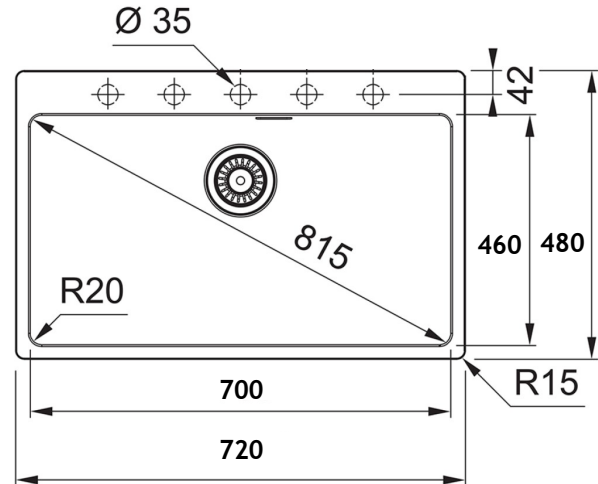




# TECHNICAL DATA SHEET

SERIES : **TOPMOUNT** / SINK MATERIALS : **GRANITE** / FAMILY : **LUXURY**



WHITE

- ARTICLE CODE : **ADL7248G**
- DIMENSIONS : **720 X 480 MM**
- CUT OUT TOP MOUNT : **700 X 460 MM**
- BOWL DEPTH : **215 MM**
- INSTALLATION TYPE : **TOPMOUNT**
- SURFACE FINISH : **BLACK/WHITE**
- PACKAGING: **CARTON BOX**

WASTE FITTING



BOTTLE TRAP

