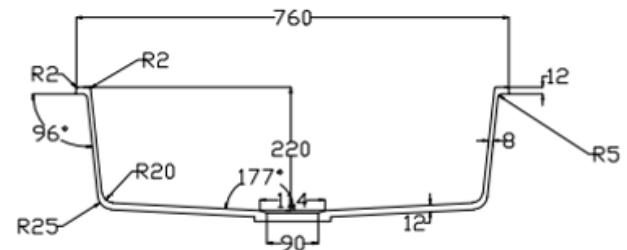
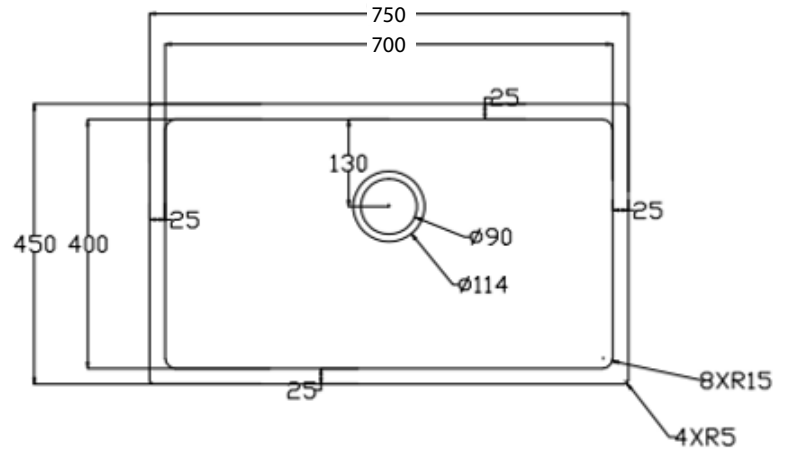


TECHNICAL DATA SHEET



SERIES : **UNDERMOUNT** / SINK MATERIALS : **GRANITE** / FAMILY : **LUXURY**



- ARTICLE CODE :** **ADL7545**
- DIMENSIONS :** **750 X 450 MM**
- CUT OUT UNDER MOUNT :** **700 X 400 MM**
- CUT OUT TOP MOUNT :** **730 X 430 MM**
- BOWL DEPTH :** **220 MM**
- INSTALLATION TYPE :** **UNDERMOUNT**
- SURFACE FINISH :** **BLACK/BEIGE/WHITE**
- PACKAGING:** **CARTON BOX**



WASTE FITTING



BOTTLE TRAP