

TECHNICAL DATA SHEET

GAS HOB

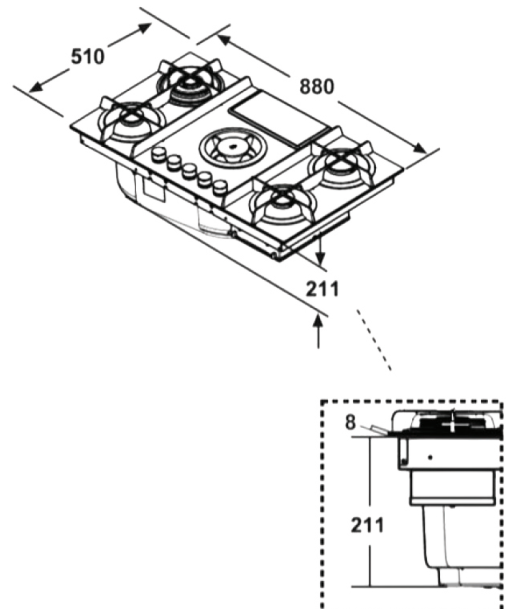


CODE : PRF0159655

NIKOLA TESLA FLAME

SIZE	: 88X51X21CM
VERSION	: DUCT-OUT / FILTERING
FINISH	: BLACK GLASS CAST IRON, GREY GLASS CAST IRON
ASPIRATION SYSTEM	
RECYCLING	
CONTROLS	: 3S 2B ROTATIVE
MIN-MAX AIRFLOW	: 230-550M3H
SUCTION SPEED	: 5.1 M/S
MIN-MAX NOISE LEVEL	: 43 - 71 DB(A)
TOTAL ABSORPTION	: 310 W
DUCT SIZE	: 150 MM
GREASE ALUMINIUM FILTER INCLUDED	
CHARCOAL FIBRE FILTER INCLUDED	
GAS HOB	
ABSORPTION	: 10 W
FREQUENCY	: 50 HZ
VOLTAGE	: 220-240 V
ZONE NUMBER	: 41
BURNER TYPE	
1ST ELEMENT	: DUAL SPECIAL (3,5 KW)
2ND ELEMENT	: SEMI RAPID (1,75 KW)
3RD ELEMENT	: SEMI RAPID (1,75 KW)
4TH ELEMENT	: RAPID (3,0 KW)

INSTALLATION DIAGRAM



NBM0009900X