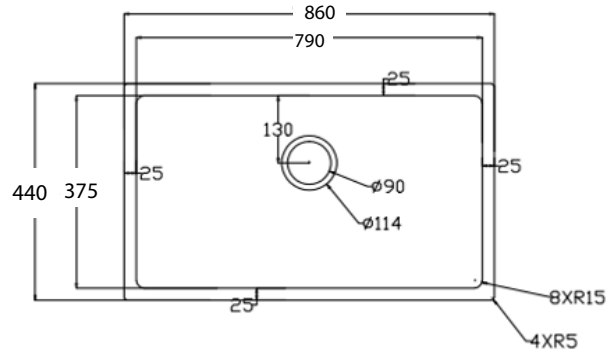




TECHNICAL DATA SHEET

SERIES : **UNDERMOUNT** / SINK MATERIALS : **GRANITE** / FAMILY : **LUXURY**



- ARTICLE CODE : **QJ8644SU**
- DIMENSIONS : **860 X 440 MM**
- CUT OUT UNDER MOUNT : **790 X 375 MM**
- CUT OUT TOP MOUNT : **840 X 420 MM**
- BOWL DEPTH : **215 MM**
- INSTALLATION TYPE : **UNDERMOUNT**
- SURFACE FINISH : **BLACK**
- THICKNESS: **10 MM**
- PACKAGING: **CARTON BOX**

WASTE FITTING



BOTTLE TRAP

