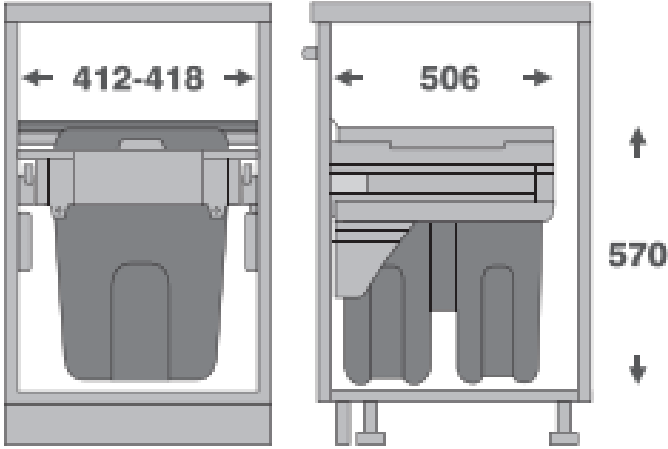

TECHNICAL DATA SHEET

ITEM: WASTE BIN | SERIES: KITCHEN ACCESSORIES | CODE: BRD450-27W



PRODUCT INFORMATION

ITEM NO:	BRD450 - 27W
DESCRIPTION:	WASTE BIN WITH SOFT CLOSING RUNNER GRAY COLOR
SPECIFICATION:	54L (27L+27 L)
DIMENSION W*D*H:	(412-418)* 506*570MM
CABINET:	450 MM

