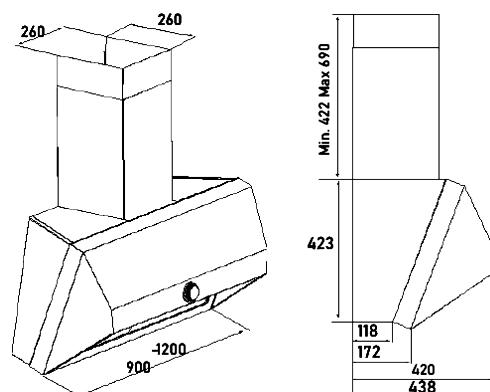


TECHNICAL DATA SHEET

WALLMOUNTED HOODS



INSTALLATION DIAGRAM



CODE : CCVISW90001

VIS HEAD FREE BLACK

FEATURES

NO-DROP SYSTEM WITH STAINLESS STEEL BAFFLE FILTERS
REMOVABLE AND WASHABLE DRIP TRAY
ROTARY CONTROL WITH POWER MODULATION
IEC AIR FLOW : 880 M³/H
NOISE LEVEL : 48/62/70 DB(A)
TOTAL ABSORPTION: 179,8 W
LAMPS : 4,8 W LED BAR
COLOR TEMPERATURE : 4000 K
INTENSITY: 100 LUX
SIZE : 90-120 CM
CONTROL : ELECTRONIC ROTARY CONTROL WITH POWER MODULATION
FINISHING : STAINLESS STEEL OR ANTHRACITE BLACK
AIR OUTLET SIZE : 150 MM
FILTERS: STAINLESS STEEL MUSTACHE GREASE FILTERS, + REMOVABLE,
WASHABLE COLLECTION TRAYS, ODOUR FILTERS OPTIONAL
ODOUR FILTERS KIT: AFCFCAMP