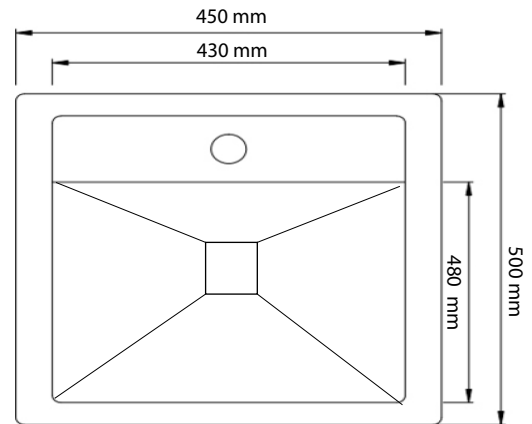




TECHNICAL DATA SHEET

SERIES : **TOPMOUNT** / SINK MATERIALS : **STAINLESS STEEL** / FAMILY : **LUXURY**



ARTICLE CODE :	MK4550 B
DIMENSIONS :	450 X 500 MM
CUT OUT :	430 X 480 MM
BOWL DEPTH :	220 MM
INSTALLATION TYPE :	TOPMOUNT
SURFACE FINISH :	BLACK
MATERIALS:	SUS 304
THICKNESS :	3 + 0.60 MM



WASTE FITTING

BOTTLE TRAP

