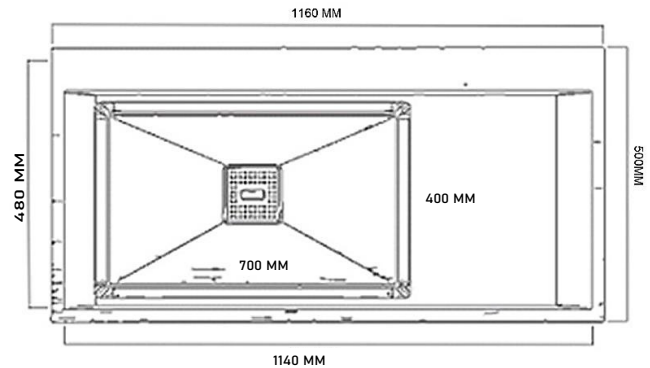

TECHNICAL DATA SHEET



SERIES : **TOPMOUNT** / SINK MATERIALS : **STAINLESS STEEL** / FAMILY : **LUXURY**



ARTICLE CODE : **MARS SBS1650 B**

DIMENSIONS : **1160 X 500 MM**

CUT OUT : **1140 X 480 MM**

BOWL SIZE : **700 X 400 MM**

BOWL DEPTH : **200 MM**

INSTALLATION TYPE : **TOPMOUNT**

SURFACE FINISH : **BLACK**

MATERIALS: **SUS 304**

THICKNESS : **3 + 0.60 MM**



WASTE FITTING



BOTTLE TRAP