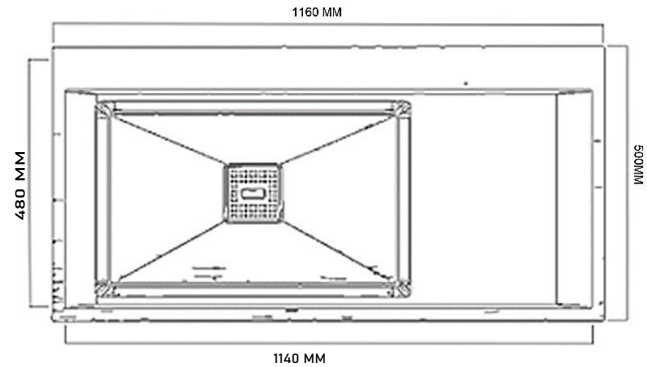




---

# TECHNICAL DATA SHEET

SERIES : **TOPMOUNT** / SINK MATERIALS : **STAINLESS STEEL** / FAMILY : **LUXURY**



ARTICLE CODE : **MARS SBSD11650 SS**

DIMENSIONS : **1160 X 500 MM**

CUT OUT : **1140 X 480 MM**

BOWL DEPTH : **200 MM**

INSTALLATION TYPE : **TOPMOUNT**

SURFACE FINISH : **SILVER**

MATERIALS: **SUS 304**

THICKNESS : **3 + 0.60 MM**



WASTE FITTING

BOTTLE TRAP

