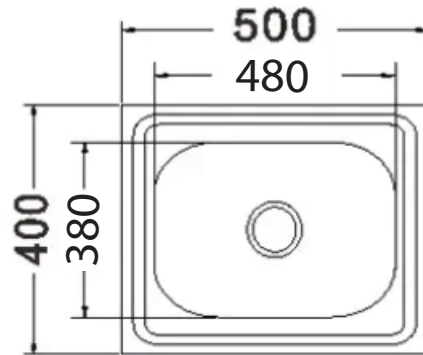




---

# TECHNICAL DATA SHEET

SERIES : **UNDERMOUNT** / SINK MATERIALS : **STAINLESS STEEL** / FAMILY : **LUXURY**



ARTICLE CODE :	<b>AE500</b>
DIMENSIONS :	<b>400 X 500 MM</b>
CUT OUT :	<b>380 X 480 MM</b>
BOWL DEPTH :	<b>160 MM</b>
INSTALLATION TYPE :	<b>INSET</b>
SURFACE FINISH :	<b>MATTE STAINLESS STEEL</b>
MATERIALS:	<b>SUS 304</b>
THICKNESS :	<b>0.60 MM</b>



**BOTTLE TRAP**