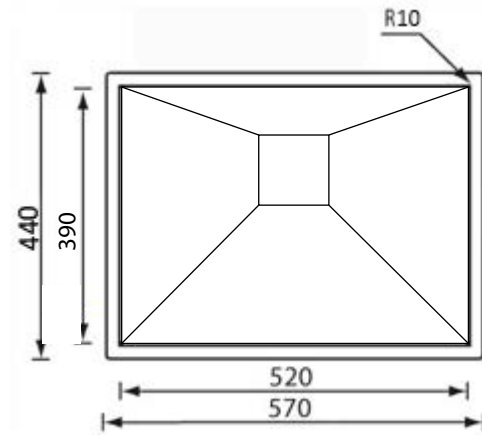




# TECHNICAL DATA SHEET

SERIES : **UNDERMOUNT** / SINK MATERIALS : **STAINLESS STEEL** / FAMILY : **LUXURY**



ARTICLE CODE :	<b>HM5744 G SQ</b>
DIMENSIONS :	<b>570 X 440 MM</b>
CUT OUT :	<b>520 X 390 MM</b>
BOWL DEPTH :	<b>220 MM</b>
INSTALLATION TYPE :	<b>UNDERMOUNT</b>
SURFACE FINISH :	<b>GOLD</b>
MATERIALS:	<b>SUS 304</b>
THICKNESS :	<b>3 + 0.60 MM</b>



WASTE FITTING



BOTTLE TRAP