

De Dietrich

Hood

Ref.: DHD7961B

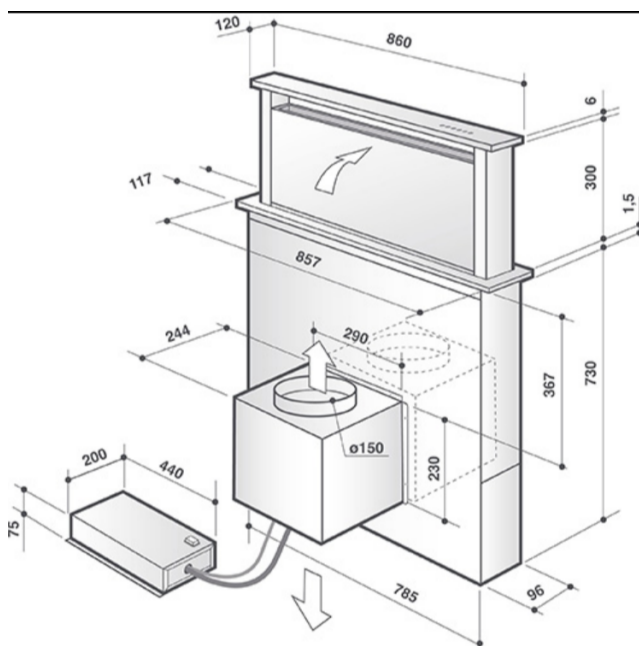


Product highlights

Worktop hood Cooking and suction. The singularity of this hood is to be placed near to the cooking hob, its motor is hidden below the worktop.

Downdraft The suction panel rises with a simple touch of the sensitive control, up to 30 cm above the cooking hob, to play its role with perfection

Lighting LED 1 For the higher respect of the environment and of your well-being, the led lighting presents the advantage to spend 85 % less of electricity and to last 20 times longer than incandescent light bulb.



GENERAL

Brand	DE DIETRICH
Commercial code	DHD7961B
EAN code	3660767964198
Customs code	84146000

FEATURES

Product type	Downdraft
Design type	Downdraft
Width (cm)	86
Finishing	Stainless steel
Colour	Stainless steel
Air vented mode	Recycling or extracting air
Delivered in	Recycling air
Type of engine	
Total power of the motors (W)	250
Number of motors	1
Motor location	In hood
Delayed stop	Yes
LED dimmer	
Fan quantity	1

PERFORMANCE

Annual energy consumption (kWh)	44,5
Energy efficiency class	
Min extraction rate (m3/h)	268
Max extraction rate (m3/h)	605
Extraction rate with boost (m3/h)	757
Min recirculation rate (m3/h)	226
Max recirculation rate (m3/h)	567
Recirculation rate with boost (m3/h)	577
Min noise level (dB) (Extraction)	38
Max noise level (dB) (acoustic pressure)	61
Noise level with Boost (dB) (Extraction)	68
Min noise level (dB) (recirculation)	42
Max noise level (dB) (recirculation)	69
Noise level with Boost (dB) (recirculation)	73
Fluid dynamic efficiency class	
Light efficiency class	A
Lighting efficiency (Lux)	
Grease filter efficiency class	

CONTROLS & LIGHTS

Control type	Electronic soft touch controls
Number of speed positions (without booster)	4
Booster	
Filters saturation indicator	Yes
Type of light	LED
Number of lights	1
Total power of the lamps (W)	5

De Dietrich

Hood

Ref.: DHD7961B

EQUIPMENT	
Type of functions	Speed;On/Off;Light;Delayed stop
Number of grease filters	2
Grease filter material	Washable aluminium
Accessories supplied	Charcoal filter
Reference of charcoal filter	
Reference of recycling kit	
Optional accessories	
Reference of engine	
Reference of the chimney extension	
Air outlet diameter (mm)	150
Deflector	No
Non-return valve	Yes

INSTALLATION	
Fuse (A)	10
Voltage (V)	220-240
Frequency (Hz)	50/60
Other functions	
Dimensions of the product without chimney HxWxD (mm)	736X860X340
Min-max chimney height (mm)	/
Dimensions of the packed product HxWxD (mm)	430X1010X870
Net weight (kg)	37
Gross weight (kg)	46

MANUFACTURING	
Availability of spare parts (years)	15
Repair index	

