

# TECHNICAL DATA SHEET

## WALLMOUNTED HOODS



CODE : HDWMB90042

### GARDA 90

#### FEATURES

##### MAIN CONTROL:

ROUND CORNER DESIGN



TOUCH AND GESTURE CONTROL SWITCH



3 SPEEDS

##### FEATURES:



BLACK



BLACK BAFFLE FILTER



160 MM OUTLET



1 PCS LONG LED LIGHT



220 V, 50-60 HZ



900 MM-460 MM DEEP TOTAL POWER : 270 W

PLASTIC BLOWER CABINET COVER

1.5M ALUMINUM EXHAUST PIPE -T SHAPE PACKI

##### MOTOR FAN:



±1000 M<sup>3</sup>/H

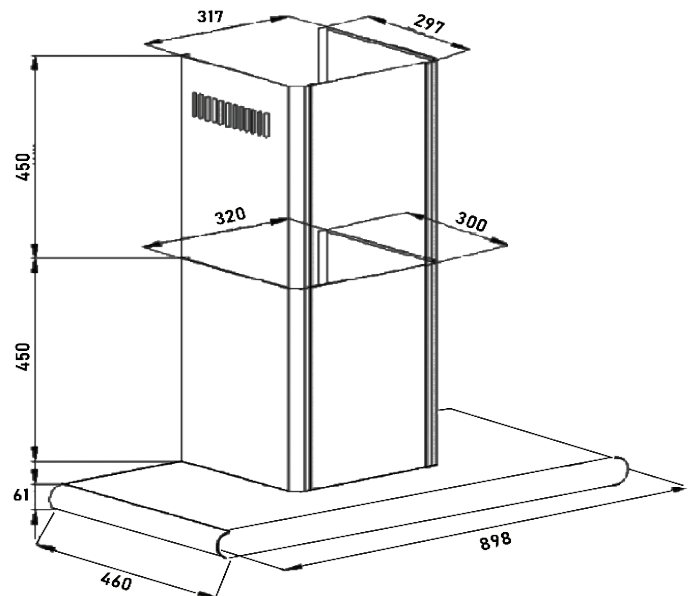


62



PA -

#### INSTALLATION DIAGRAM



90 MM BLACK T-SHAPE RANGE HOOD  
POWER SUPPLY: 220~240V, 50/60HZ  
60MM HIGH FRONT PANEL