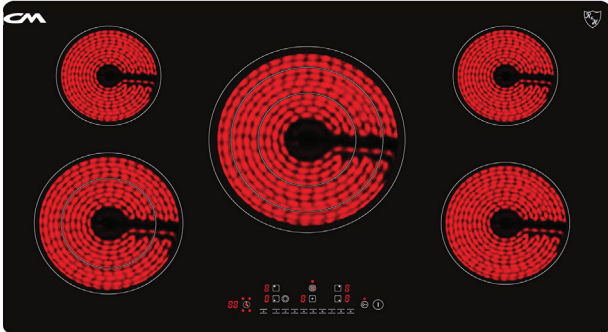


TECHNICAL DATA SHEET

VITROCERAMIC HOBS



CODE : HBC9005006

CASA 90

90 CM ELECTRONIC HOB

FUNCTIONS

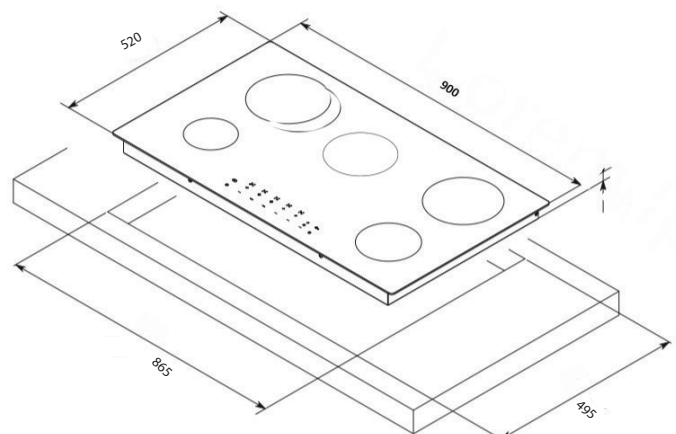


90 CM VITROCERAMIC HOB / BEVELLED BLACK GLASS
INFRARED SLIDING TOUCH CONTROL
AUTOMATIC SAFETY SHUT OFF
ANTI-OVERHEAT-ANTI-OVERFLOW
9 POWER LEVELS
HEAT SETTING PER COOKING
RESIDUAL HEAT INDICATORS
PAUSE FUNCTION / 99 MINUTES TIMER
5 HEATING ZONES
SAFETY /CHILD LOCK KEY
ENERGY EFFICIENCY CLASS : C

HEATING ELEMENTS

BURNER-1 (LEFT BOTTOM)	: 1200W/2200W/ Ø140/230MM
BURNER-2 (LEFT TOP)	: 1200W/ Ø165MM
BURNER-3 (CENTRAL)	: 700-1500-2300W/Ø115-163-230MM
BURNER-4 (RIGHT TOP)	: 2000W/ Ø200
BURNER-5 (RIGHT BOTTOM)	: 1200W/ Ø165
VOLTAGE	: 220-240 V
FREQUENCY	: 50/60 Hz
TOTAL POWER	: 8000W

INSTALLATION DIMENSIONS



DETAILS:

■ BLACK
WIDTH 900 MM
HEIGHT 520 MM
DEPTH 50 MM
CUT-OUT: 865 X 495 MM