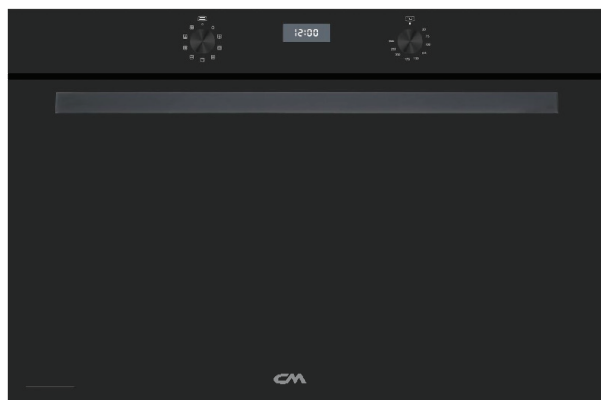


TECHNICAL DATA SHEET

ELECTRIC OVENS 90 CM



CODE :OVE9010004

ELEGANT ELECTRIC

FUNCTIONS



TECHNICAL FEATURES

90CM BUILT-IN ELECTRIC OVEN

120L GROSS CAPACITY

9 + 1 FUNCTIONS

TOUCH TIMER, THERMOSTAT

LOWER AND UPPER GRILL TURBO RESISTANCE(2 PCS)

COOLING FAN

SINGLE TURBO FANS (2 PCS)

CHICKEN ROTESSERIE - POP-UP BLACK KNOBS

ENERGY GLASS

BLACK GLASS PANEL

DOUBLE GLASS DOOR FULLL BLACK

ENERGY CLASS : A

INNER CAVITY MM (W X H X D) : 760 x 380 x365

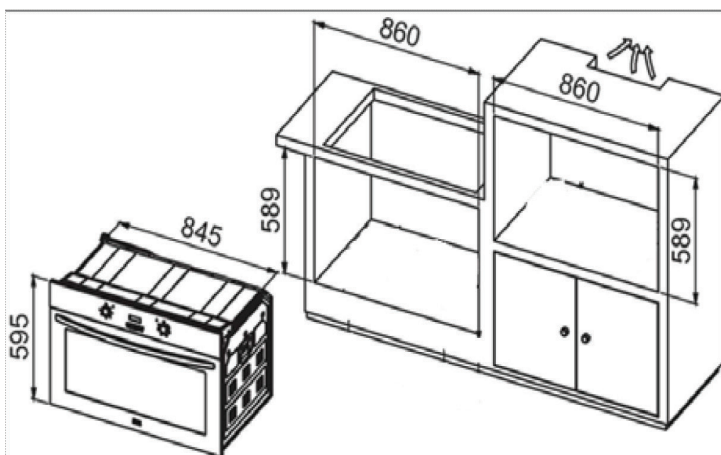
TOTAL POWER : 3520 W

SIDE RACKS

1 GRILL SHELF

2 BAKING TRAY

TECHNICAL DRAWING



DIMENSIONS

WIDTH 895 MM

HEIGHT 595 MM

DEPTH 546 MM