

TECHNICAL DATA SHEET

GAS ON GLASS HOBS



CODE : HBG9005026

MOON NERO 90

90 CM GAS ON GLASS HOB
CAST IRON PAN SUPPORT

FUNCTIONS

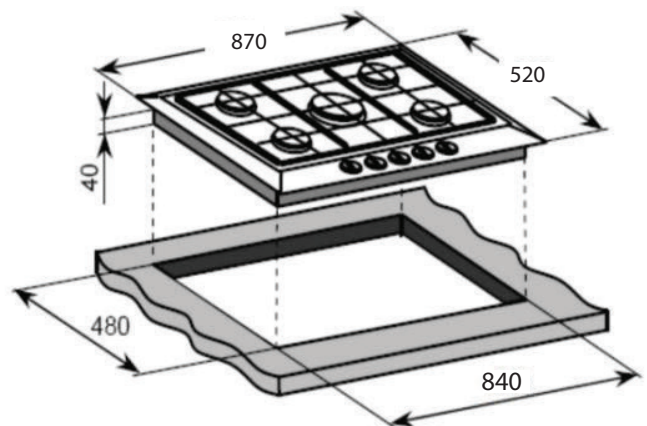


5 GAS BURNER
ELECTRONIC IGNITION
FLAME SAFETY DEVICE

HEATING ELEMENTS

RAPID BURNER	1.0 KW
AUXILIARY BURNER	1.75 KW
SEMI-RAPID BURNER	3.5 KW
TRIPLE RING BURNER	3.0 KW

INSTALLATION DIAGRAM



DETAILS:

■ BLACK
WIDTH 870 MM
HEIGHT 520 MM
DEPTH 40 MM
CUT-OUT : 840 X 480 MM