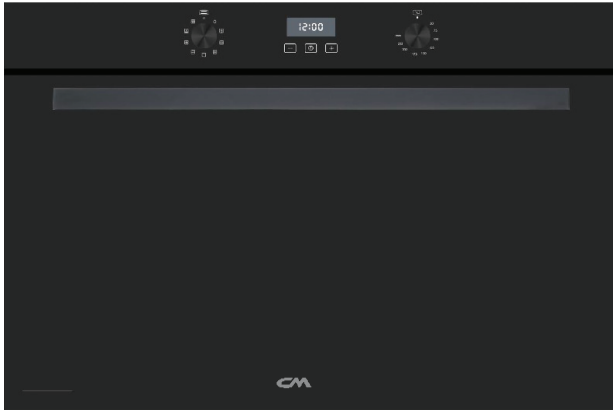


TECHNICAL DATA SHEET

ELECTRIC OVENS 90 CM



CODE : OVE9009125

JUMBO NERO ELECTRIC

FUNCTIONS



TECHNICAL FEATURES

90cm width electric oven
220~240V, 50Hz
220~240V, 60Hz, 2800-3400W
135L Net Capacity
145L Gross Capacity
Digital timer touch control (WHITE display)
With side shelves
Include TWIN convection fans and circle heater on back

9 functions include **Rotisserie**

⊕ **Air Fryer**

PIPO knob

DOUBLE layers door glass

Brown box package

1.2m power cord NO plug

DEEP BLACK GLASS appearance

2 Enamek food tray

1 big rack

1 set rotisserie kits

Add air fryer basket 1pcs

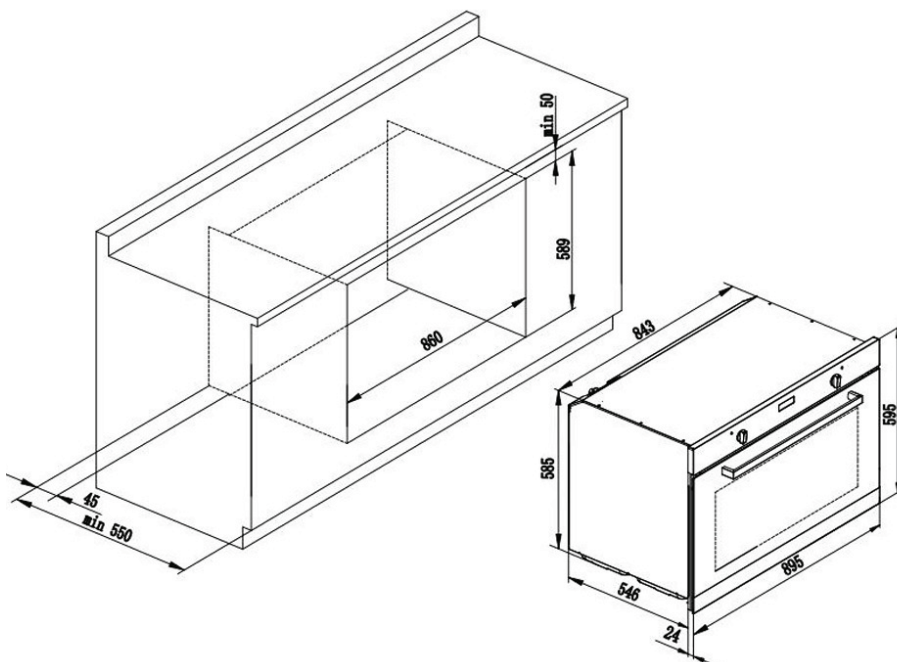
DIMENSIONS

WIDTH 895 MM

HEIGHT 595 MM

DEPTH 546 MM

TECHNICAL DRAWING



DETAILS:

■ BLACK GLASS FRAMELESS